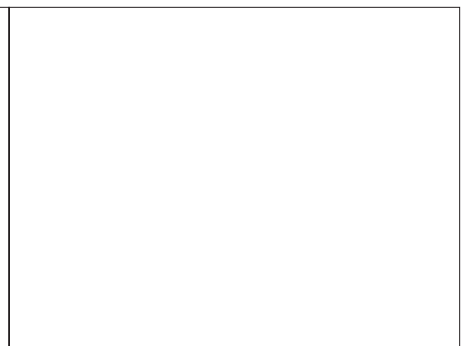
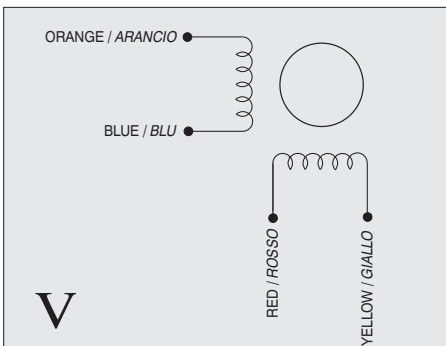
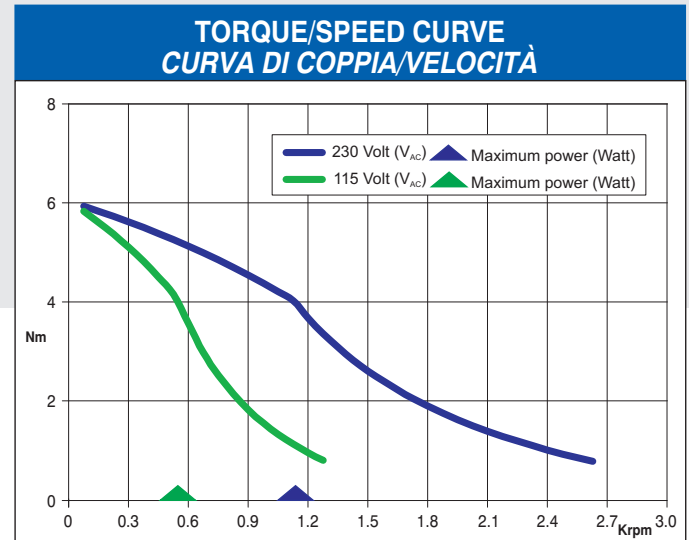


T IS THE EARTH TERMINAL.

Dimensions in mm.

FEATURES CARATTERISTICHE		MODEL MODELLO	SM2862 - 5055
BASIC STEP ANGLE			1.8° ± 0.09°
BIPOLAR PARALLEL CURRENT		(Amp)	2
RESISTANCE		(Ohm)	3.2
INDUCTANCE		(mH)	25
BIPOLAR HOLDING TORQUE		(Ncm)	700
ROTOR INERTIA		(Kgm ² x 10 ⁻⁷)	3000
THEORETICAL ACCELERATION		(rad x sec. ⁻²)	23300
BACK E.M.F.		(V/Krpm)	350
MASS		(Kg)	2.9
INTERNATIONAL STANDARDS			UL, CSA, CE, RoHS
INSULATION VOLTAGE		(V)	250 V _{AC} (350 V _{DC})
PROTECTION DEGREE - INSULATION CLASS			IP43 - F
LEADS CODE			V



R.T.A. s.r.l. PAVIA (ITALY) SANYO DENKI CO., Ltd (JAPAN)

EIMC-03-11

Suggested R.T.A. driver: X-PLUS B Series, X-MIND Series.



R.T.A. s.r.l.
Via E. Mattei - Fraz. Divisa
27020 MARCIGNAGO (PV) ITALY
Tel. +39.0382.929.855 - Fax +39.0382.929.150
www.rta.it

R.T.A. Deutschland GmbH
Bublitzer Straße 34
40599 DÜSSELDORF (Germany)
Tel. +49.211.749.668.60 - Fax +49.211.749.668.66
www.rta-deutschland.de

R.T.A. IBERICA-Motion Control Systems S.L.
C/Generalitat 22, 1° 3°
08850 GAVA - BARCELONA (Spain)
Tel. +34.936.388.805 - Fax +34.936.334.595
www.rta-iberica.es