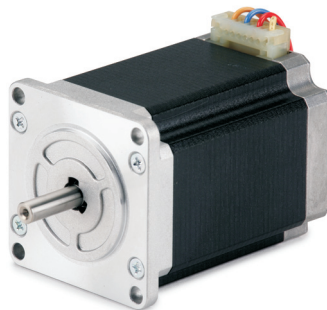
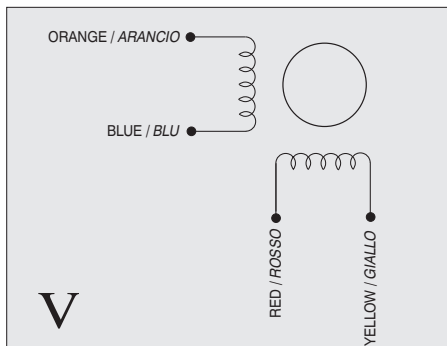
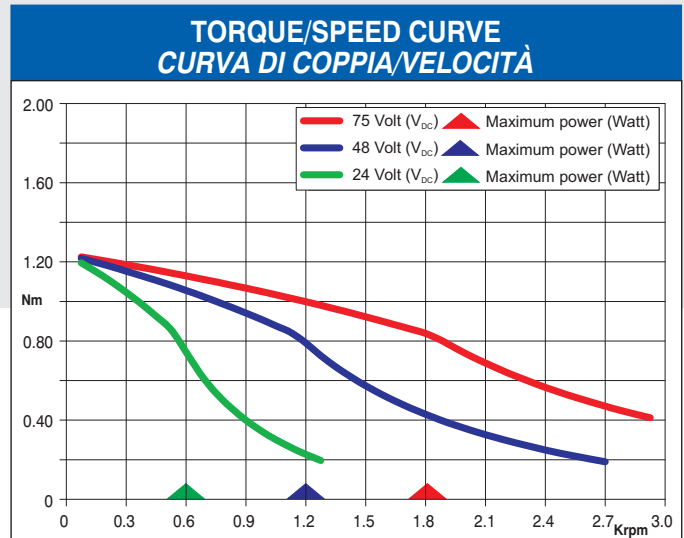


Dimensions in mm.

| FEATURES CARATTERISTICHE | |
|---|--|
| MODEL MODELLO | 103 - H7126 - 1740 (103 - H7126 - 1710) |
| BASIC STEP ANGLE | $1.8^\circ \pm 0.09^\circ$ |
| BIPOLAR CURRENT (Amp) | 4 |
| UNIPOLAR CURRENT (Amp) | |
| RESISTANCE (Ohm) | 0.48 |
| INDUCTANCE (mH) | 2.2 |
| BIPOLAR HOLDING TORQUE (Ncm) | 165 |
| UNIPOLAR HOLDING TORQUE (Ncm) | |
| ROTOR INERTIA ($\text{Kg} \cdot \text{m}^2 \times 10^{-7}$) | 360 |
| THEORETICAL ACCELERATION ($\text{rad} \times \text{sec.}^{-2}$) | 45800 |
| BACK E.M.F. (V/Krpm) | 31 |
| MASS (Kg) | 1 |
| LEADS CODE | V |

Codes between brackets refer to double shaft models.
Le sigle fra parentesi si riferiscono ai modelli bialbero.



Suggested R.T.A. driver: CSD Series, NDC Series, HGD Series, PLUS Series.



R.T.A. s.r.l.
Via E. Mattei - Fraz. Divisa
27020 MARCIGNAGO (PV) ITALY
Tel. +39.0382.929.855 - Fax +39.0382.929.150
www.rta.it

R.T.A. Deutschland GmbH
Bublitzer Straße 34
40599 DÜSSELDORF (Germany)
Tel. +49.211.749.668.60 - Fax +49.211.749.668.66
www.rta-deutschland.de

R.T.A. IBERICA-Motion Control Systems S.L.
C/Generalitat 22, 1° 3°
08850 GAVA - BARCELONA (Spain)
Tel. +34.936.388.805 - Fax +34.936.334.595
www.rta-iberica.es