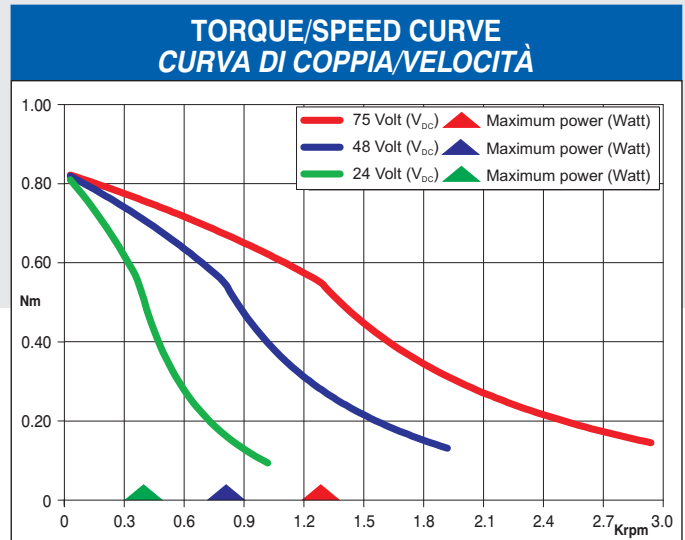


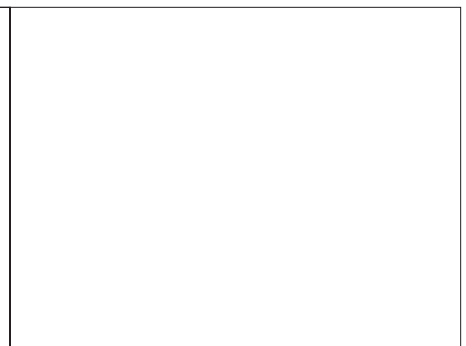
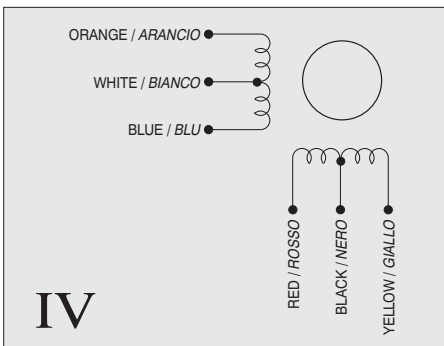
Dimensions in mm.

FEATURES CARATTERISTICHE	
MODEL MODELLO	103 - H7123 - 0740 (103 - H7123 - 0710)
BASIC STEP ANGLE	$1.8^\circ \pm 0.09^\circ$
BIPOLAR CURRENT (Amp)	2.2 <sup>(*)</sup>
UNIPOLAR CURRENT (Amp)	3
RESISTANCE (Ohm)	0.77
INDUCTANCE (mH)	1.6
BIPOLAR HOLDING TORQUE (Ncm)	110
UNIPOLAR HOLDING TORQUE (Ncm)	85
ROTOR INERTIA ( $\text{Kg} \cdot \text{m}^2 \times 10^{-7}$ )	210
THEORETICAL ACCELERATION ( $\text{rad} \times \text{sec}^{-2}$ )	50000
BACK E.M.F. (V/Krpm)	20
MASS (Kg)	0.65
LEADS CODE	IV

Codes between brackets refer to double shaft models.  
Le sigle fra parentesi si riferiscono ai modelli bialbero.



<sup>(\*)</sup> Bipolar series connection.  
<sup>(\*)</sup> Collegamento bipolare serie.



**Suggested R.T.A. driver: CSD Series, NDC Series, HGD Series.**



R.T.A. s.r.l.  
Via E. Mattei - Fraz. Divisa  
27020 MARCIGNAGO (PV) ITALY  
Tel. +39.0382.929.855 - Fax +39.0382.929.150  
www.rta.it

R.T.A. Deutschland GmbH  
Bublitzer Straße 34  
40599 DÜSSELDORF (Germany)  
Tel. +49.211.749.668.60 - Fax +49.211.749.668.66  
www.rta-deutschland.de

R.T.A. IBERICA-Motion Control Systems S.L.  
C/Generalitat 22, 1º 3º  
08850 GAVA - BARCELONA (Spain)  
Tel. +34.936.388.805 - Fax +34.936.334.595  
www.rta-iberica.es